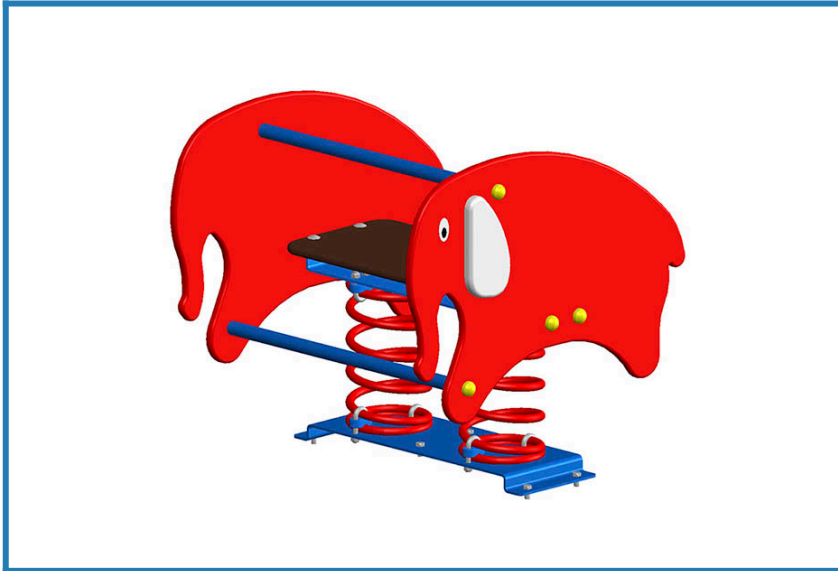


## DOBLE ELEFANTE



### ACTIVITIES



### TECHNICAL DATA

**DIMENSIONS:**

0,895 x 0,83 x 0,788 m

**PLAYING SURFACE:**





2,90 x 2,83 m

**COMPONENTS:**

**Spare parts:**

Jolas puts at your disposal the necessary spare parts for the perfect state of use of all its elements of game.

**Accessibility:**

		Motriz	<input checked="" type="checkbox"/>	<input type="checkbox"/>	<input type="checkbox"/>	<input type="checkbox"/>
		Sensory	<input checked="" type="checkbox"/>	<input type="checkbox"/>	<input type="checkbox"/>	<input type="checkbox"/>
		Mental	<input checked="" type="checkbox"/>	<input type="checkbox"/>	<input type="checkbox"/>	<input type="checkbox"/>

## INSTALLATION



0,895 x 0,83 x 0,788 m



65 kg / 65 kg



1/2 h / 1 operator/s



From 3 to 10 years

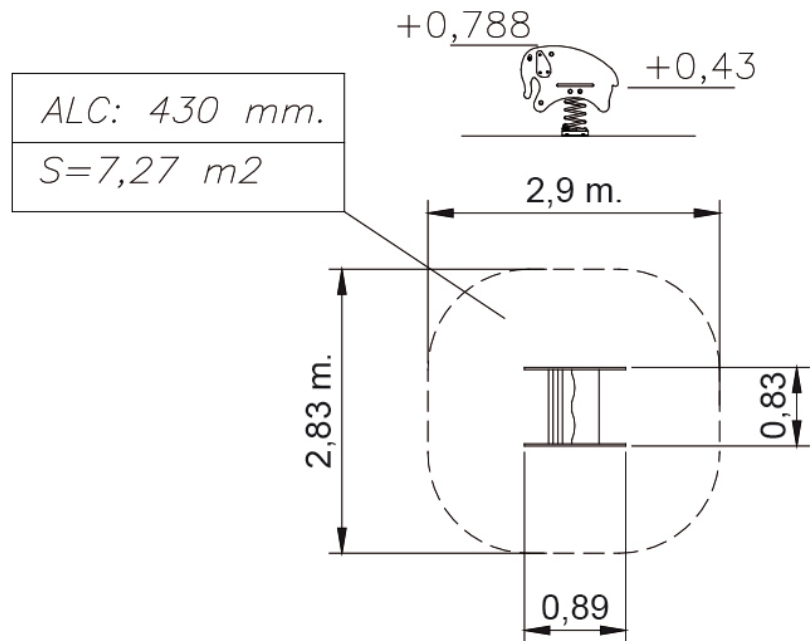


2 user/s

### Maintenance

Document [JE-M001.pdf](#)

Revestimientos del suelo  
segun NORMA EN-1176-1:2008



## IMAGES



### NORMATIVE AND CERTIFICATES:



JOLAS reserves the right to modify the information contained in this document without prior notice.