

PASATIEMPOS



ACTIVITIES



TECHNICAL DATA

DIMENSIONS:

1,40 x 0,10 x 1,98 m

PLAYING SURFACE:

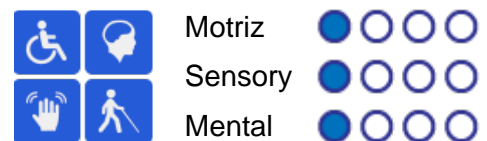
3,20 x 4,40 m

COMPONENTS:

Spare parts:

Jolas puts at your disposal the necessary spare parts for the perfect state of use of all its elements of game.

Accessibility:



INSTALLATION



1,40 x 0,12 x 1,98 m



50 kg / 50 kg



1 h / 2 operator/s



From 0 to 13 years

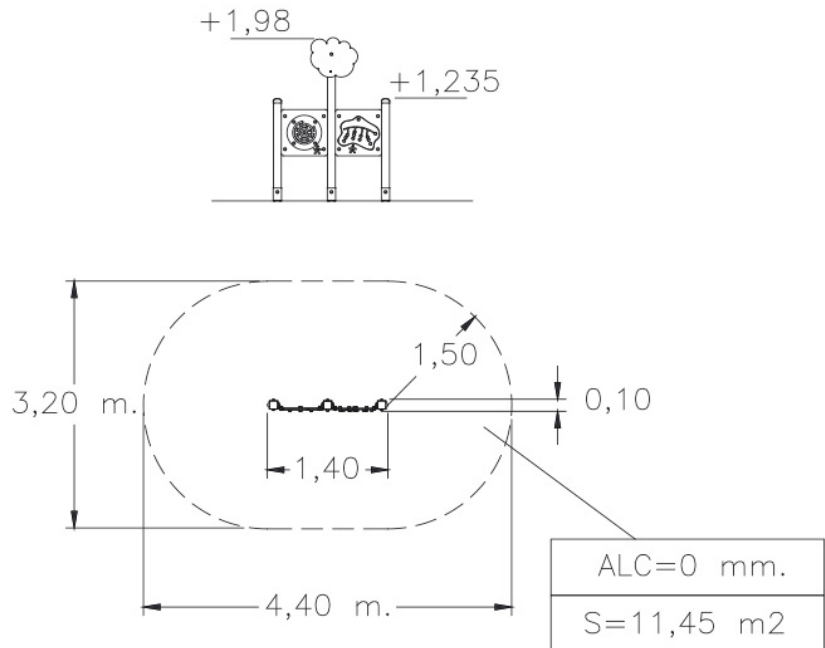


2 user/s

Maintenance

Document [GE-M001.pdf](#)

Revestimientos del suelo
segun NORMA EN-1176-1:2008



IMAGES



NORMATIVE AND CERTIFICATES:



JOLAS reserves the right to modify the information contained in this document without prior notice.